

ROS-PEER Peer Table Right On Site

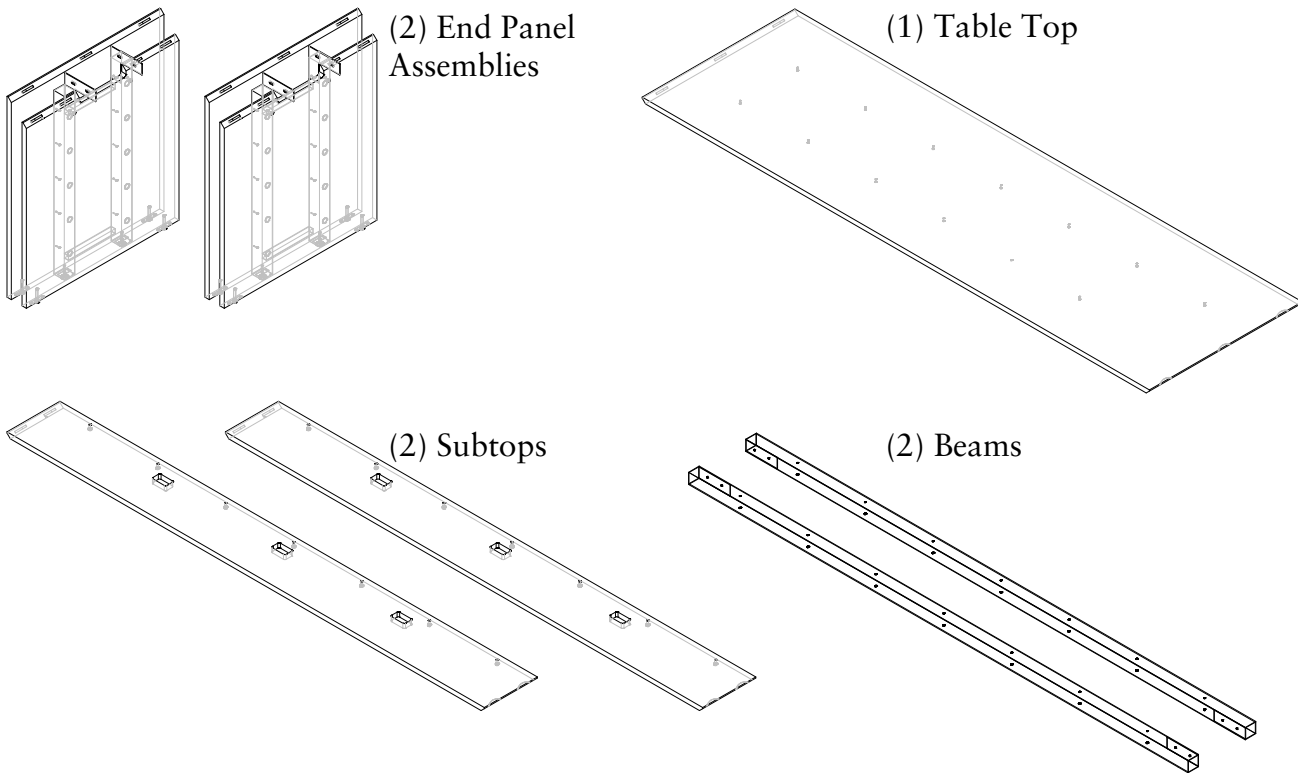
1B5DPD

Note: Details apply, however the actual configuration of your table may vary from what is depicted here.

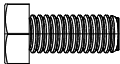

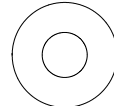




Tools Required

- o Tape Measure
- o 4 foot carpenters level
- o Framing Square
- o Cordless drill
- o Torx Head Wrench (provided in hardware kit)
- o Socket wrench with 7/16" and 1/2" sockets
- o #2 Phillips Drill Bit

Caution: Handle wood panels carefully. Edges can be damaged when mishandled.



Hardware

<p>1B5DNC 5/16-18 x 3/4" Cap Screw (x8)</p> 	<p>1B5DND Lock Washer (x8)</p> 	<p>1B5DNF Plain Washer (x28)</p> 	<p>1B5DNL 1/4-20 x 1 1/2" Machine Screw (x14)</p> 	<p>1B5DNM 1/4-20 Lock Nut (x14)</p> 	<p>1B5DNG Subtop Grommets (x6)</p> 
<p>51153 #8 X 1" Pan Head Screw (x14)</p> 					

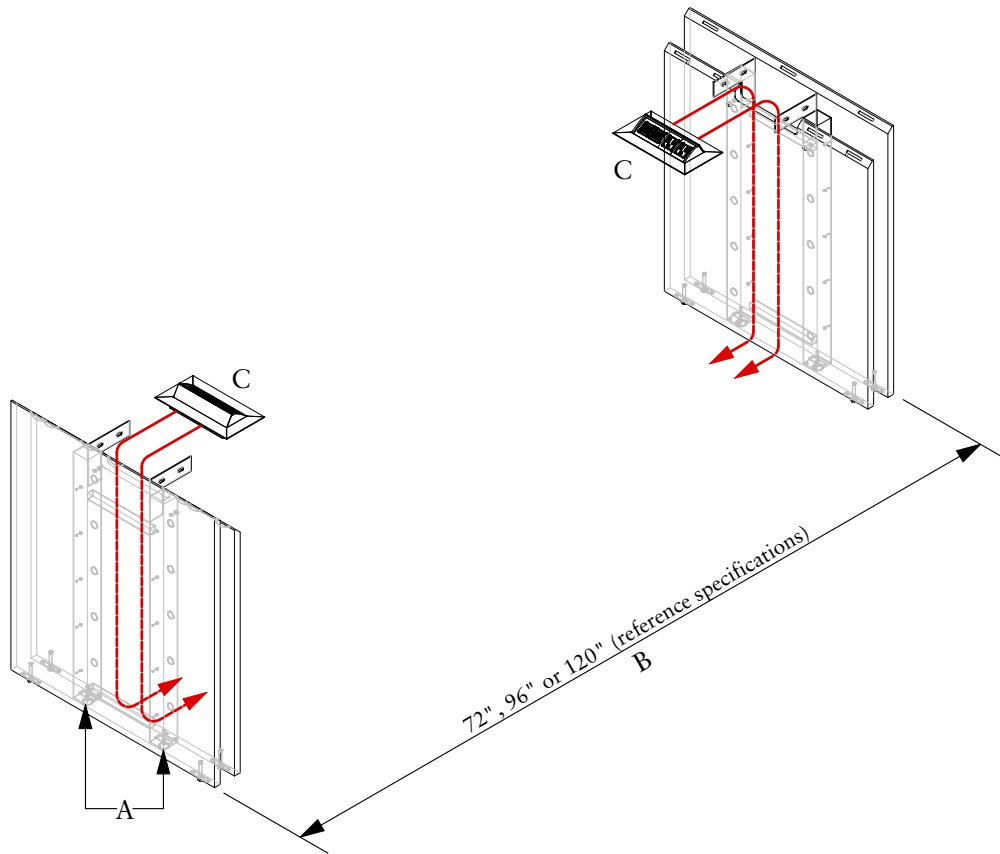
ROS-PEER Peer Table Right On Site

1B5DPD

Note: Details apply, however the actual configuration of your table may vary from what is depicted here.

1. Locate End Panels

- A. Make sure levelers are extended enough to be able to reach from under end panel assembly. Evenly extend all levelers (six per end panel).
- B. Offset End panels as required by overall size of table (see below).
- C. If any power/data cables will pass through end panels, feed cables now. Power modules can be installed at the table top or under the table after table installation is complete.



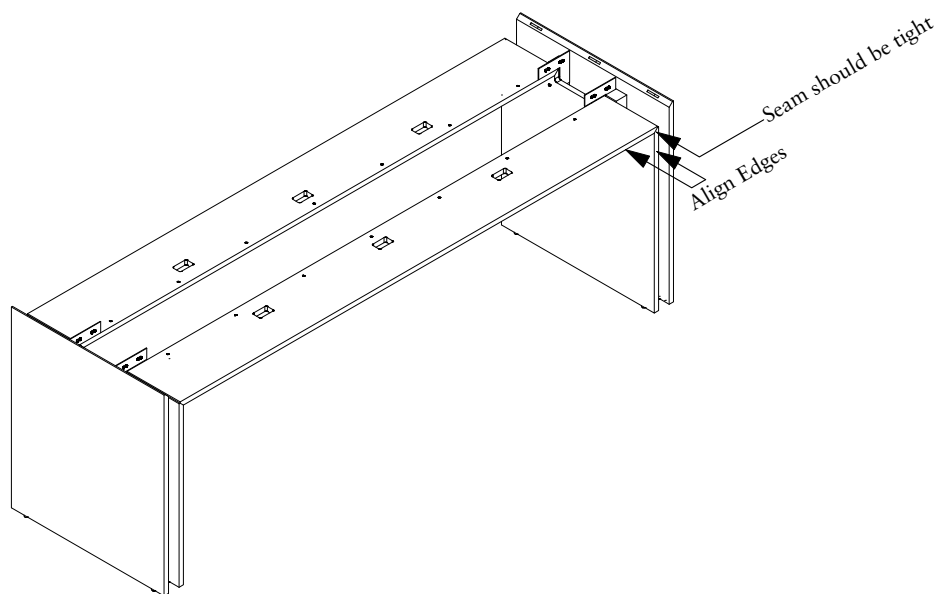
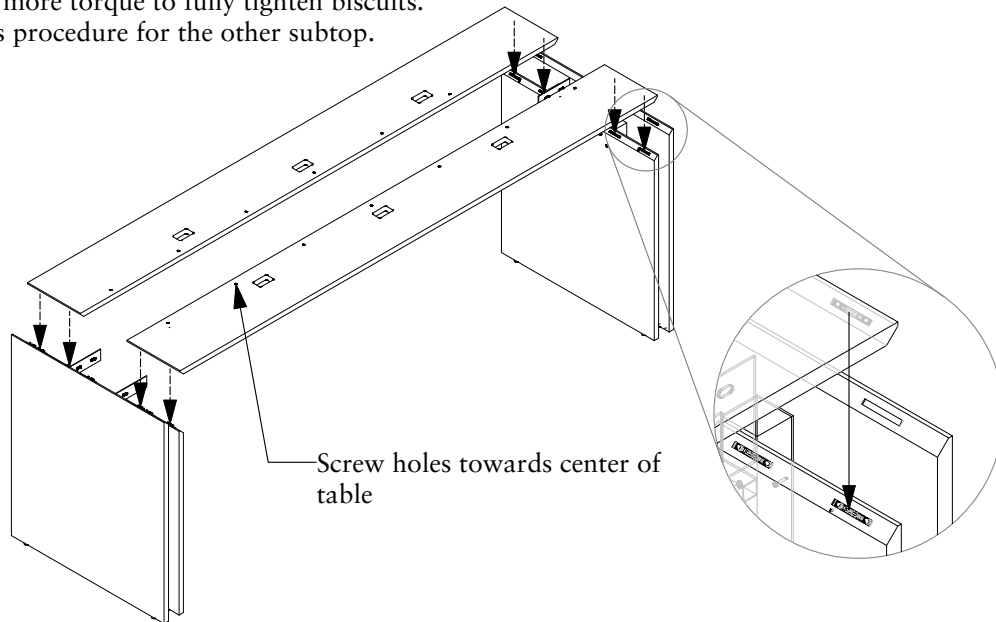
ROS-PEER Peer Table Right On Site

1B5DPD

Note: Details apply, however the actual configuration of your table may vary from what is depicted here.

2. Subtop Assembly

- A. Place subtops over end panels and engage mechanical biscuit fasteners at both ends. Make sure grommet and screw holes are oriented towards the center of the table.
- B. Align outer edges of end panels and subtop.
- C. Using the Torx wrench, access torx screw on biscuits from underneath subtop and tighten. Do this at both ends of subtop. Use pliers in conjunction with torx wrench to provide more torque to fully tighten biscuits.
- D. Repeat this procedure for the other subtop.



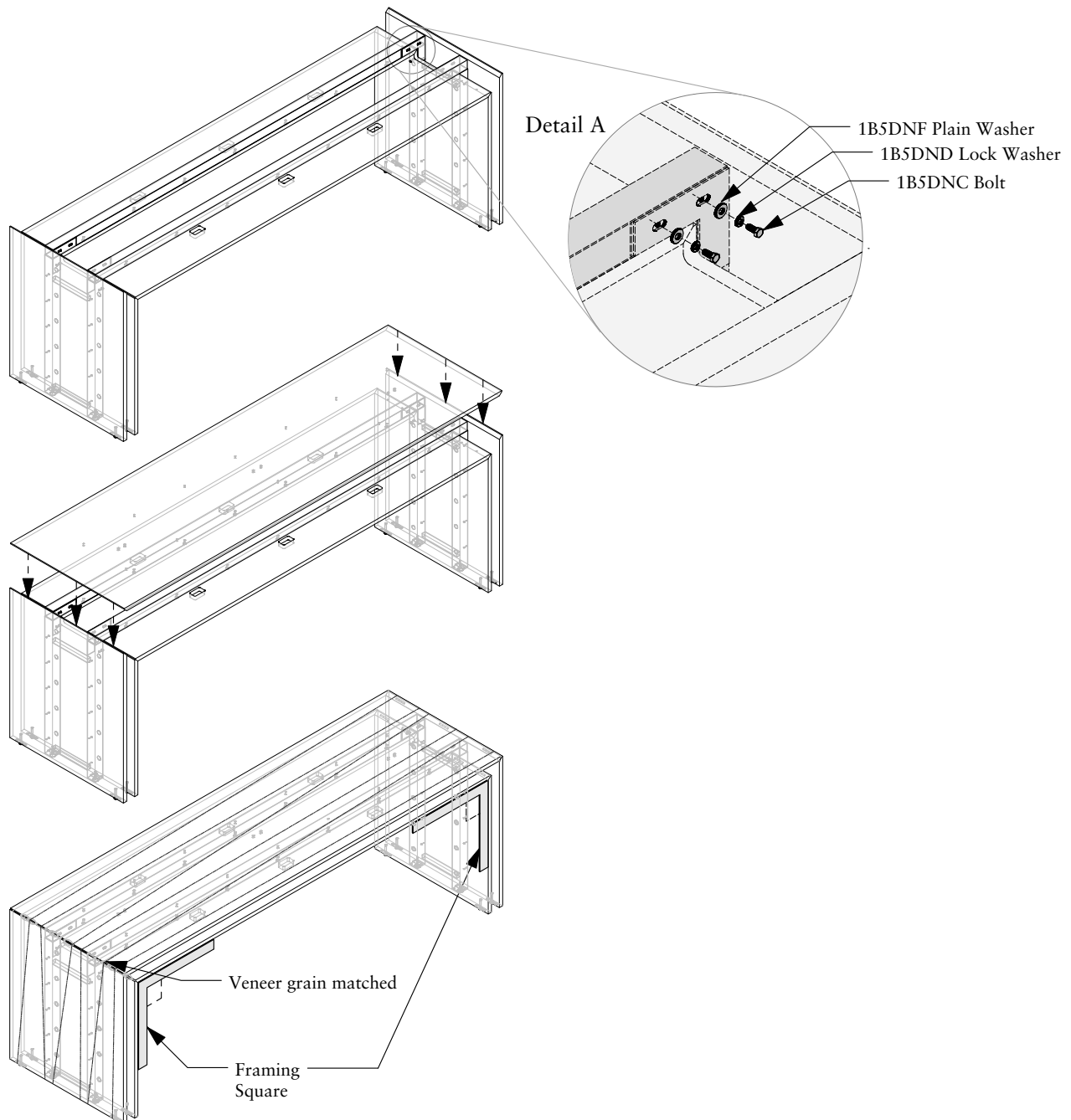
ROS-PEER Peer Table Right On Site

1B5DPD

Note: Details apply, however the actual configuration of your table may vary from what is depicted here.

3. Beam and Top Assembly

- A. Loosely fasten beams to end panel braces. Do not fully tighten yet. See Detail A.
- B. Place table top onto end panels and align biscuit connectors. Make sure veneer graining on end panels and top are matched. Make sure outer edges of table top and end panels are aligned and miter seams are tight. Tighten biscuit connectors as before.
- C. Make sure end panel to top connection is square. See third image for squaring.
- D. Fully tighten bolts connecting beams to end panel braces started in step A. Level table.



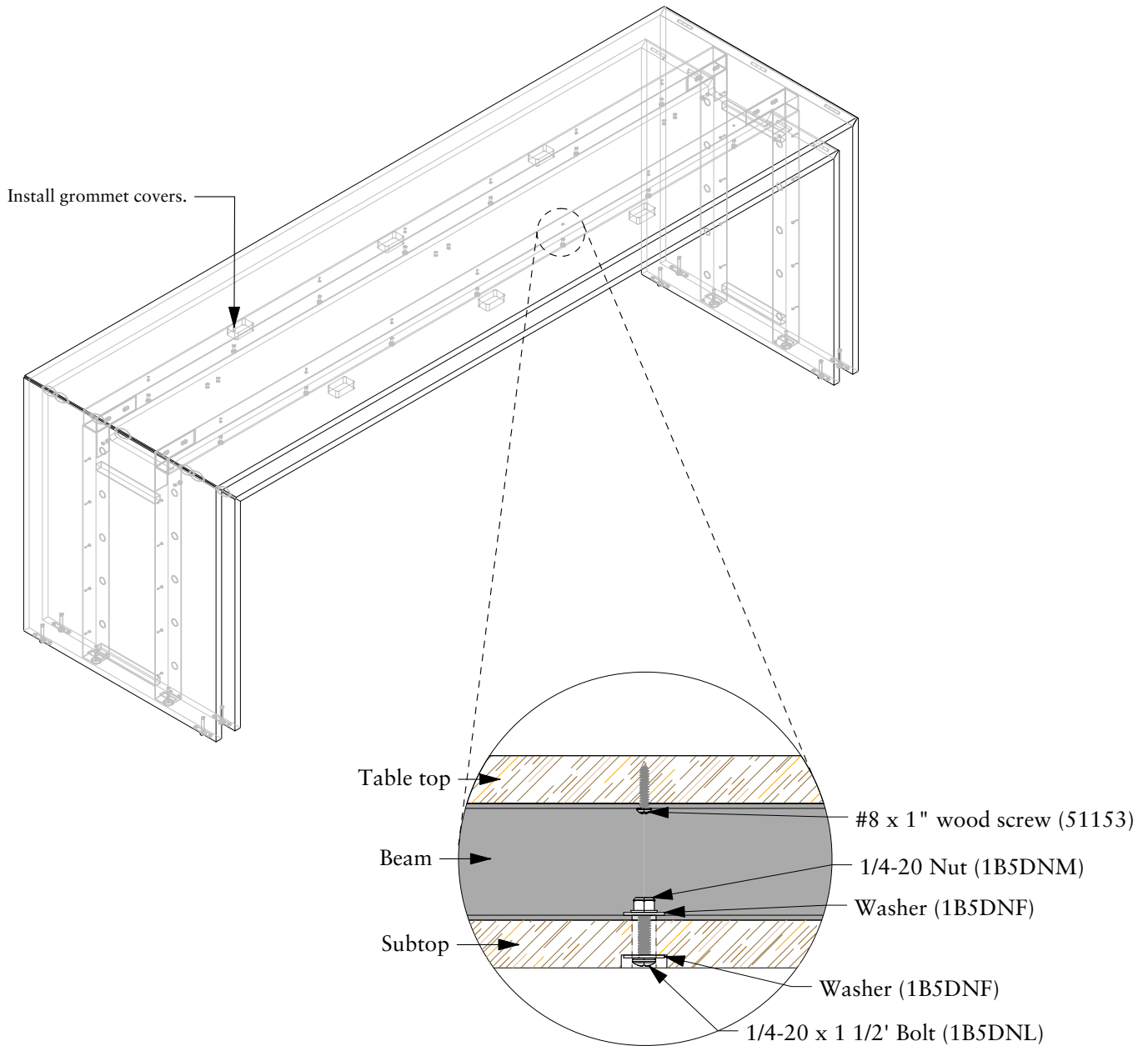
ROS-PEER Peer Table Right On Site

1B5DPD

Note: Details apply, however the actual configuration of your table may vary from what is depicted here.

4. Fasten Table Top to Beams

- A. Using wood screws (51153) , fasten table top to beams. Screw head can be accessed with drill from underside of table, through holes in subtop and beam. There will be between 10 to 14 of these connections per table.
- B. Fasten subtops to beams. See Detail B. There will between 10 to 14 of these connections per table.
- C. Install six grommet covers on subtops



Detail B
(elevation view)